

Product Name:

**2.4G Active Tag ( Card Type)**

Model NO.:

**HX607**



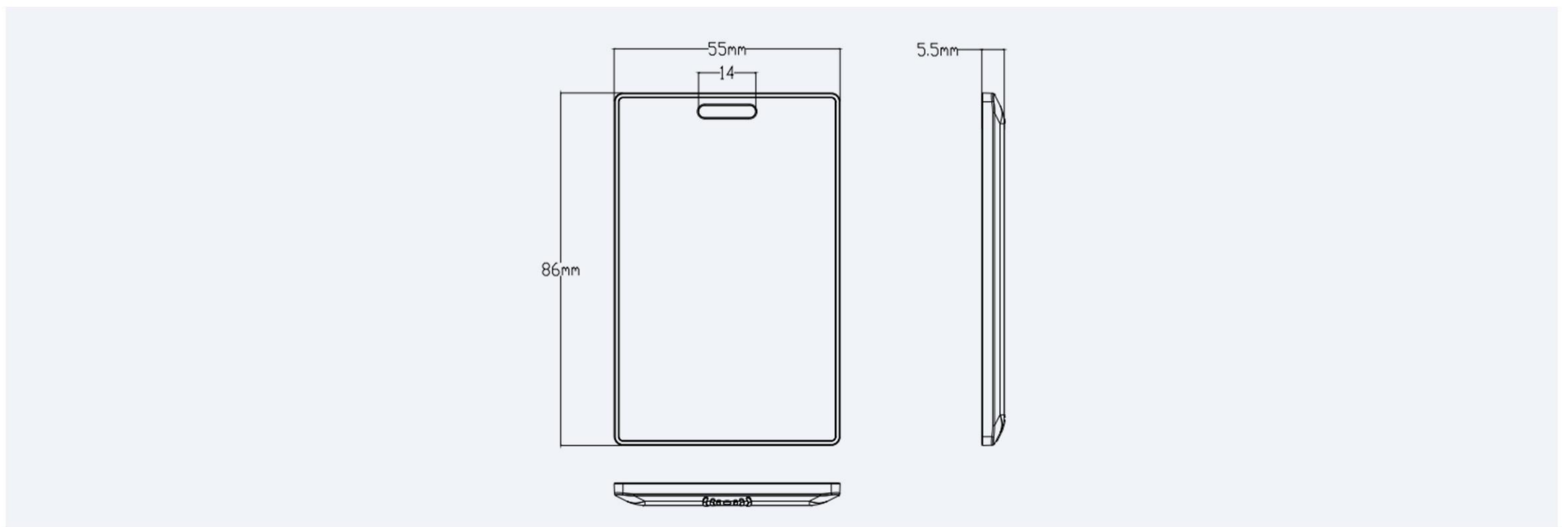
## 1、 Key Features:

- 1、 Suitable to adopt fixed frequency working mode, with powerful anti-jamming ability.
- 2、 Effective reading range up to 80m (depend on reader and antenna, software configurable).
- 3、 Super wide working band design, conforming to relevant industry rules and also flexible in application development.
- 4、 Multi-Tag reading at the same time (more than 100pcs per second), no limitation or interference by tag quantity in the reading range.
- 5、 Ultra-low power consumption, average working current<10uA.
- 6、 Hybrid design 2.4G + 13.56MHz, 13.56Mhz effective reading rang >3cm (125KHz optional).
- 7、 Typical application are school students attendance, employee tracking, vehicle tracking etc.

## 2、 Parameter

Model No	HX607
Type	2.4G Card type (Beacon type)
Inductive mode	Initiative transmit, transmit every second
Material	ABS, heat resistant ,White color
Dimensions	86*55*5.5mm
Battery	battery life up to 3 years
IP Grade	IP67
Installation	Carry on
Signal modulation	GFSK
Communication speed	1Mbit/s
Operation frequency	2.44GHz
Output power	0dbm
Average current	<7uA
Battery model	CR2032
Battery capacity	220mA
Operating temperature	-20°C~+60°C
Storage temperature	-30°C~+65°C
Operating humidity	<85%
<b>13.56MHz Features:</b>	
Memory	8Kbit
Protocol	ISO14443A
Communication Speed	106kbit/s
Certifications	FCC and CE

### 3、 Dimension:



### 4、 Photos:

